



SADLER

POWER TRAIN

TRUCK PARTS & SERVICE

AFTERMARKET PRESET HUB ASSEMBLIES



- Save time and money
- Reduce downtime
- Reduce labor costs
- Reduce potential for errors or misalignment
- Reduce liability
- Warranty protection on hub and all components



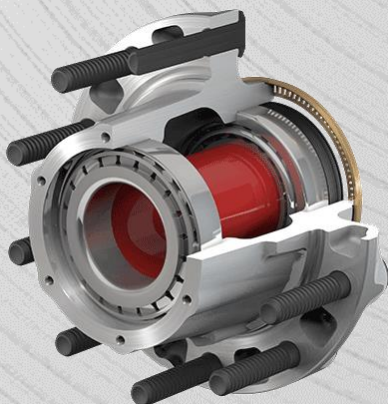
STEER AXLE HUBS

PART#	GAWR	MANUFACTURER
10082201	13.2K	FREIGHTLINER, VOLVO, STERLING, WESTERN STAR
10082203	14.6K	FREIGHTLINER, VOLVO, STERLING, WESTERN STAR
10082207	13.2K	KENWORTH, PETERBILT, NAVISTAR, MACK
10082209	14.6K	KENWORTH, PETERBILT, NAVISTAR, MACK
10082213	20K	ALL OEMS
10082215	23K	ALL OEMS



DRIVE AXLE HUBS

PART#	GAWR	MANUFACTURER
10082217	23K	FREIGHTLINER, KENWORTH, PETERBILT, WESTERN STAR, STERLING, MACK
10082218	26K	FREIGHTLINER, KENWORTH, PETERBILT, WESTERN STAR, STERLING, MACK
10082219	26K	FREIGHTLINER, KENWORTH, PETERBILT, WESTERN STAR, STERLING, MACK
10082221	23K	VOLVO, NAVISTAR
10082223	26K	VOLVO, NAVISTAR



TRAILER AXLE HUBS

PART#	GAWR	HUB MAT	WHEEL STUD	TN/TP
10082225	23K	ALUM	102190	TN
10082250	23K	ALUM	102292	TN
10082251	23K	ALUM	102190	TN
10082252	23K	IRON	10001400	TN
10082254	25K	ALUM	102292	TP
10082256	25K	IRON	10001400	TP

PRESET PLUS - THE MOST ADVANCED WHEEL HUB IN THE INDUSTRY

Optimized Bearing Spacer

Specially-designed spacer provides a fixed, dimensional distance between the inner and outer bearings so that precise adjustment can be achieved when torquing the spindle nut

Long-Life Bearings

ConMet bearings offer better rolling contact, reduced stress, and lower running temperatures

Integrated Spindle Nut

Improves wheel end clamp load, makes installation easier, and aids in removal of the hub

Precision Machined Casting

Aluminum hub casting provides weight savings without sacrificing strength, durability, and performance. PreSet Plus is also available in iron for non weight-sensitive applications

Extended Life Seals

ConMet wheel seals, which are installed at the factory to a controlled depth, provide maximum sealing efficiency, and protect internal components against leaks and contamination

ABS Tone Ring

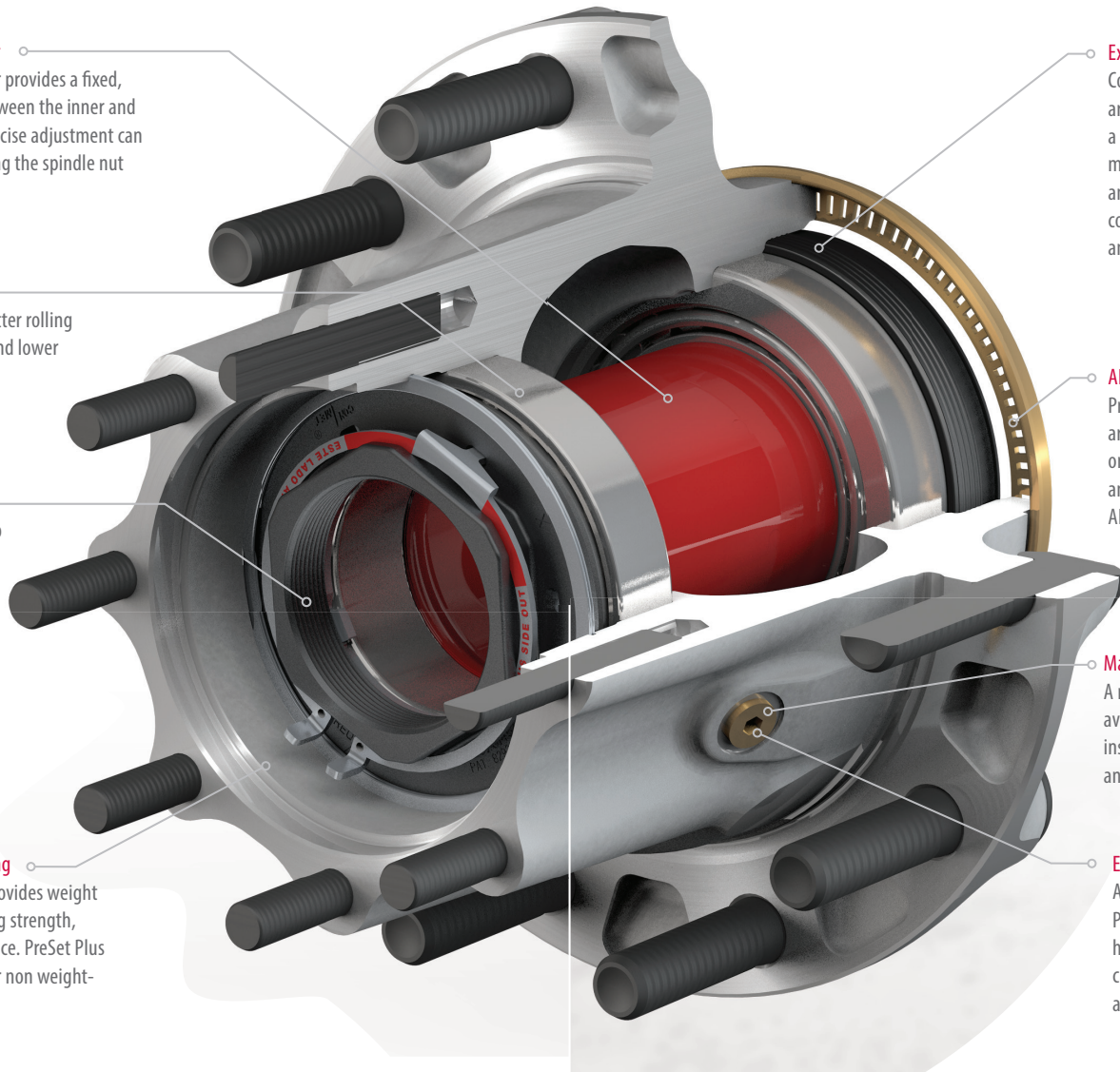
PreSet Plus hub assemblies are available with stamped or machined tone rings as an integral component for ABS-equipped vehicles

Magnetic Fill Plug

A magnetic fill plug is available to help with inspection of lubricant (drive and trailer hubs only)

Easy Access Fill Hole

A fill hole is available on PreSet Plus drive and trailer hubs so lubricant of all types can be installed quickly and easily



PreSet & PreSet Plus Rebuild Kits

CONMET®



"The Power of Service"

Cedar Rapids
800-383-8238

Davenport
800-383-4213

Dubuque
800-747-0752

Waterloo
800-373-3035

www.sadlerpowertrain.com

